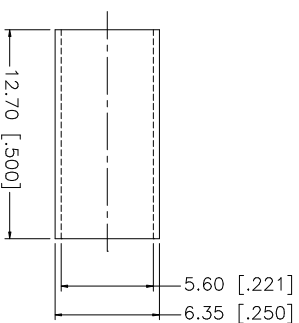
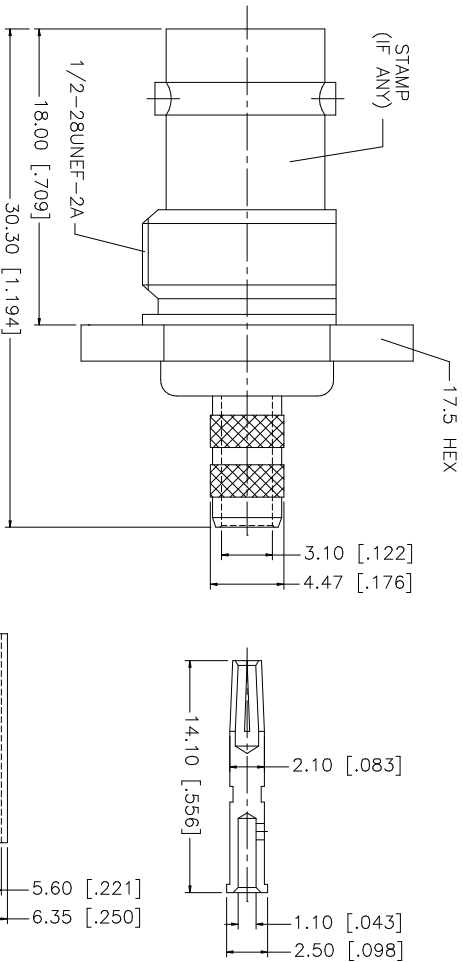
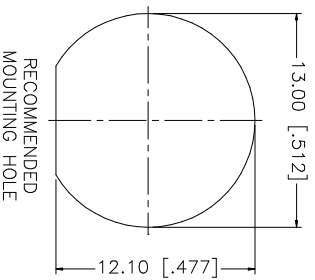
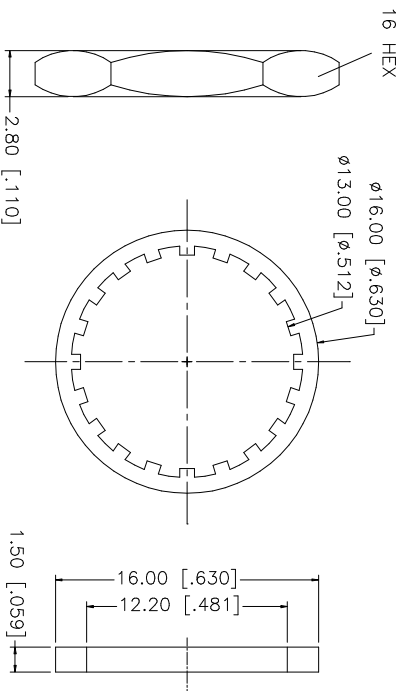
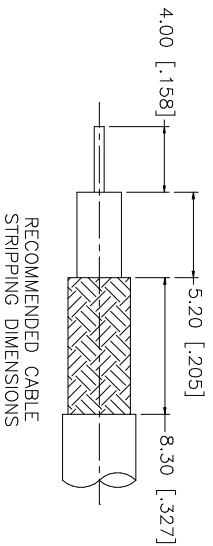


REV.	DATE	DESCRIPTION
NC	05/24/04	INITIAL RELEASE



NOTE:

1. CRIMPED FERRULE  
HEX CRIMP SIZE .213"
2. CRIMPED CONTACT PIN  
HEX CRIMP SIZE .068"

QTY	DESCRIPTION	MATERIAL	FINISH	QTY	DO NOT SCALE DRAWING	CAD FILE	APPROVALS	DATE	DWG. NO.	REV.	NC	SIZE	SCALE
1	16 HEX	COPPER	NICKEL	1		C:/112/112505.DWG	G.R.S.	05/24/04	112505.DWG	NC		A	NA
1	FERRULE	COPPER	NICKEL	1									
1	HEX NUT	BRASS	NICKEL	1									
1	LOCK WASHER	BRASS	NICKEL	1									
1	GASKET	RUBBER	RED	1									
1	CONTACT PIN	PHOS. BRONZE	GOLD	1									
1	INSULATOR	TEFLON	NATURAL	1									
1	BODY/HOUSING	BRASS	NICKEL	1									
	DESCRIPTION	MATERIAL	FINISH	QTY	DO NOT SCALE DRAWING	CAD FILE	APPROVALS	DATE	DWG. NO.	REV.	NC	SIZE	SCALE

**Amphenol Connex**

PART DESCRIPTION  
BNC BULKHEAD CRIMP JACK  
(FOR RG-55/U, 142A/U, 223/U, 400/U CABLE)

PART NO. 112505

UNLESS OTHERWISE SPECIFIED DIMENSIONS ARE IN MILLIMETERS. DIMENSIONS IN [ ] ARE IN INCHES AND FOR CUSTOMER REFERENCE ONLY.  
TOLERANCES FOR MILLIMETERS ARE:  
0.5 - 8mm ± 0.20mm  
8 - 30mm ± 0.40mm  
30 - 120mm ± 0.50mm  
UNLESS OTHERWISE SPECIFIED TOLERANCES FOR INCHES ARE:  
.020 - .315 = ± 0.007"  
.315 - 1.180 = ± 0.015"  
1.180 - 4.724 = ± 0.020"